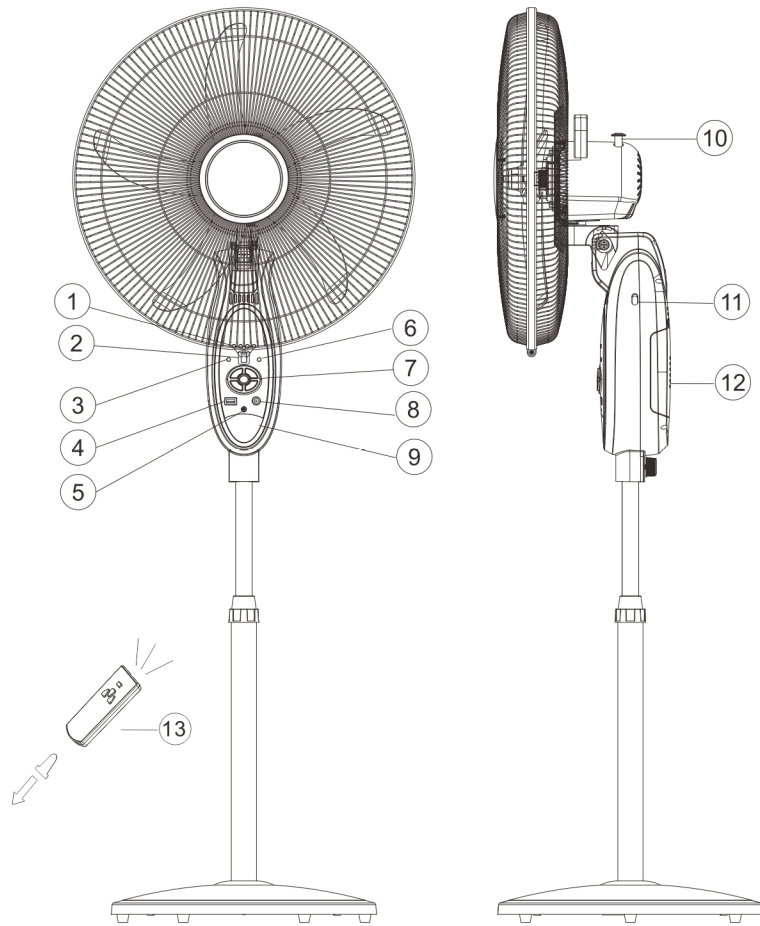


marvel[®] Tech

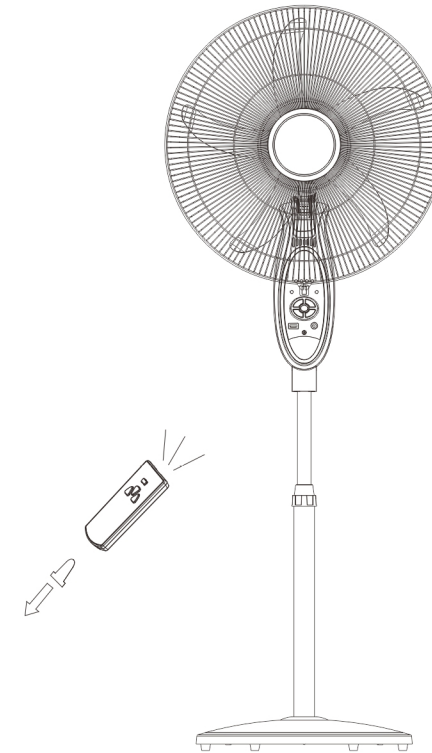
MODEL:MF-02-18

INSTRUCTION MANUAL RECHARGEABLE FLOOR FAN



NAME OF PARTS

- | | |
|---------------------|------------------------------|
| 1. Power Indicator | 8. DC Socket |
| 2. LCD Display | 9. LED |
| 3. Work Indicator | 10. Oscillation Control Knob |
| 4. USB Socket | 11. AC Socket |
| 5. Remote Receiver | 12. Battery Cover |
| 6. Charge Indicator | 13. Remote |
| 7. Power Switch | |



Thank you for using our product, please read the instruction manual carefully before initial use.

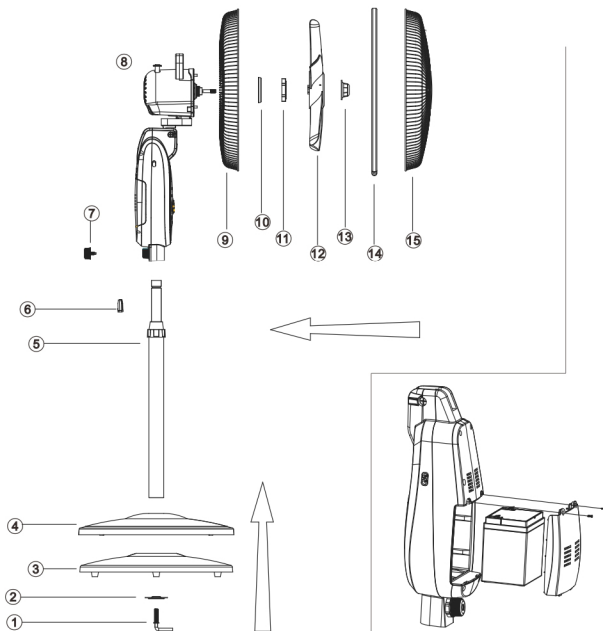
IMPORTANT NOTICE

- *This appliance is not intended for use by person(including children) with reduced physical, sensory or mental capabilities, or lack of experience and knowledge, unless they have been given supervision or instruction concerning use of the appliance by a person responsible for their safety.
- *Children should be supervised to ensure that they do not play with the appliance.
- *Two meter power cord: If the power cord is damaged, it must be replaced by a special cord or assembly available from the manufacturer or its service agent.
- *Fully charge the product before use. Read "HOW TO CHARGE" .
- *Switch off the product during storage, Periodically charge the product at least 8 hours every 3 months when storage.
- *Keep out of water or rain for proper use. The perfect working temperature is between 0℃ and 40℃.
- *Once the product is out of operation, do not open or repair unless the qualified person.

HOW TO ASSEMBLE

When open the packing, double check the parts all are in readiness, if have any question, please contact with supplier.

1. Please refer to picture Drawing 1 to assemble the fan. Take out metal pole, put into the bottom, then connect fan head, bottom and balance block with metal gasket and screw.
2. Assemble the back louver, louver gasket, big screw, blade, left screw nut , front louver and louver holder.
3. After finishing assembling, operate the fan to confirm the assembling correct.



Drawing 1

1. BOLT
2. METAL GASKET
3. BALANCE BLOCK
4. BOTTOM
5. METAL POLE
6. NUT GASKET
7. BOTTOM SCREW
8. FAN HEAD
9. BACK LOUVER
10. LOUVER GASKET
11. BIG NUT
12. BLADE
13. LEFT SCREW NUT
14. LOUVER HOLDER
15. FRONT LOUVER

HOW TO OPERATE

(Refers to Drawing 2)

1. Press the power button, the Power Indicator is lighting up, the fan can work.
2. Press the "+" or the "-" button, the fan will increase progressively to maximum speed or reduce progressively to minimum speed, the LCD Display shows the speed.
3. Press the "0.5H" button, after 0.5 hours, the fan will turn off.
4. Press the "LED" button, to choose weak/strong light, or turn off the LED light.
5. Press the oscillation control knob, the fan becomes swing; pull up the knob, the fan becomes not swing.
6. 5V output USB Mobile Charger. With over-discharge protection function. After the battery is drained, please recharge the battery.
7. How to remote(Refers to Drawing 3): Pull out the transparent sheet when first time to use
 - a. Press SP+ or SP- button to turn on the fan and adjust the speed, when the fan is in the minimum speed, press the SP- button again, the fan will stop.
 - b. Press LED button to choose weak/strong light or turn off it.
 - c. Press the TIMER button to choose 0.5H timer function or cancel it.

HOW TO CHARGE

1. Please check and make sure the power supply is consistent with the unit before recharge.
2. Method one :Plug the power cord into the AC socket and the supply power.
3. Method two: Plug the 12V external transformer into DC socket and the power supply. Now can not turn on the fan.(NOTE: The DC socket is only for charging.)
4. The red LED is lighting up, it shows the lantern is being charging.
5. With overcharge protection function.

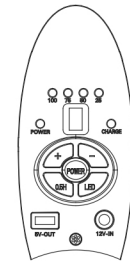
HOW TO REPLACE BATTERY

1. Shut off the power and stop all function of the fan.
2. Loosen the screw of the cover, remove the cover, take out the old battery.
3. Replace with the new one and assemble in reverse procedures.

Correct Disposal of this product



This marking indicates that this product should not be disposed with other household wastes. To prevent possible harm to the environment or human health from uncontrolled waste disposal, recycle it responsibly to promote the sustainable reuse of material resources. To return your used device, please use the return and collection systems or contact the retailer where the product was purchased.



Drawing 2



Drawing 3

TECHNICAL DATA

1. Power source: 180-240V~ 50/60Hz
2. Battery: 1pcs 12V 4.5Ah lead-acid rechargeable battery
3. Light source: 4pcs LED light
4. Charge time: 12-15 hours
5. Duration: 2.5 hours / High speed(DC)
6 hours / Medium speed(DC)
≥ 30 hours / Low speed(DC)
≥ 45 hours / LED light
6. Dimension: 500X500X1365mm